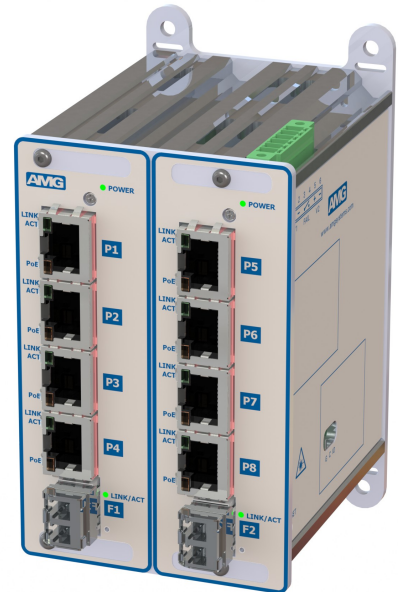


AMG INDUSTRIAL HARDENED UNMANAGED SWITCHES WITH 90W POE



Ruggedised Industrial Ethernet Solutions

Available with 4 and 8 Ethernet ports, AMG's Unmanaged switches provide a 100Mbps or Gigabit Ethernet uplink across Multimode or Single-mode fibre via the SFP port.



10/100 up to x8	Gigabit up to x8	100/1000 up to x2	Temp -40°C~+75°C	Mounting DIN/Surface

[AMG9HMU-8G4H4N-2S-P480]

OVERVIEW

Every port can automatically sense your type of cable so there is no need for crossover cables whether you are connecting the switch to another switch or a computer and can also automatically sense if the connected network devices are running at 10Mbps, 100Mbps or 1000Mbps and half/full-duplex mode, and adjust accordingly.

With 90W PoE on each Ethernet port and housed in a compact chassis, these DIN rail mountable devices are ideally suited for connecting and powering field based equipment such as IP CCTV cameras and industrial controllers to Ethernet networks over long distances using all types of fibre. Fibre connectivity is determined by separate SFP device selection, providing application and site flexibility.

SFPs and PSUs need to be ordered separately.

NB These products are not user programmable.

FEATURES

- Compact size – ideal for confined spaces, including camera poles and roadside cabinets
- -40°C to 75°C temperature – maintains performance in extreme conditions
- Non-programmable – no need for any user configuration or computer setup
- DIN rail mountable – quick to install and remove for maintenance
- Dual Speed SFP port – supports single and multimode, single or dual fibre options up to 120Km
- Gigabit or 10/100M Ethernet copper ports – high bandwidth support
- Auto MDI or MDI-X config – eliminates the need for crossover cables
- Auto-Negotiation (802.3u) – automatically determines the best connection speed
- Automatic Link Restoration - restores operation when recovering from a temporary fault

Specifications.

Standards.

IEEE802.3	10BaseT
IEEE802.3u	100BaseTX
IEEE802.3ab	1000BaseT
IEEE802.3z	1000BaseSX/LX
IEEE802.3af	15W PoE
IEEE802.3at	30W PoE+ & 60/90W

Interface.

LED Indicators

Power:	ON = Link; Flashing = Activity
Fiber Link/Act:	ON = Link; Flashing = Activity
Copper Link/Act:	ON = Link; Flashing = Activity
PoE	ON = Active

RJ45 Ports

4-port	2x 10/100M or 10/100/1000M RJ45 PoE 90W & 2x 10/100M or 10/100/1000M RJ45 PoE+
8-port	4x 10/100M or 10/100/1000M RJ45 PoE 90W & 4x 10/100M or 10/100/1000M RJ45 PoE+

SFP Slot

Power	1 or 2 100/1000M 1x 6 pin removable terminal block
-------	--

Note: Redundant PSUs not supported

Power.

Input and Consumption

PoE:	46-56V _{DC}	5W + 15W
PoE+/PoE 90W:	52-56V _{DC}	5W + 30W/90W
PSE Modes	Mode A, Mode B	
Protection	Reverse Polarity, Overload Current	

Mechanical.

Casing	IP 30 Protection Metal case
Dimensions	W x D x H
1 SFP ports	35.2 x 121 x 95.5 mm
2 SFP ports	70.8 x 121 x 95.5 mm
Note:	Depth 95.5mm includes 8mm DIN-Rail bracket.

Weight	up to 1kg
Installation	Wall Mount or DIN-Rail

Packaging.

Shipping Weight	up to 1.5kg
Dimensions	250 x 200 x 65 mm

Environmental.

Operating Temp.	-40°C to 75°C
Storage Temp.	-40°C to 85°C
Humidity	5% to 90% (non-condensing)
Compliances	Reach, RoHS and WEEE
MTBF	>310,000 hrs

Regulatory.

Electrical Safety	CE/EN60950-1
Immunity	EN55022
Emissions	EN61000-3-2

Environmental

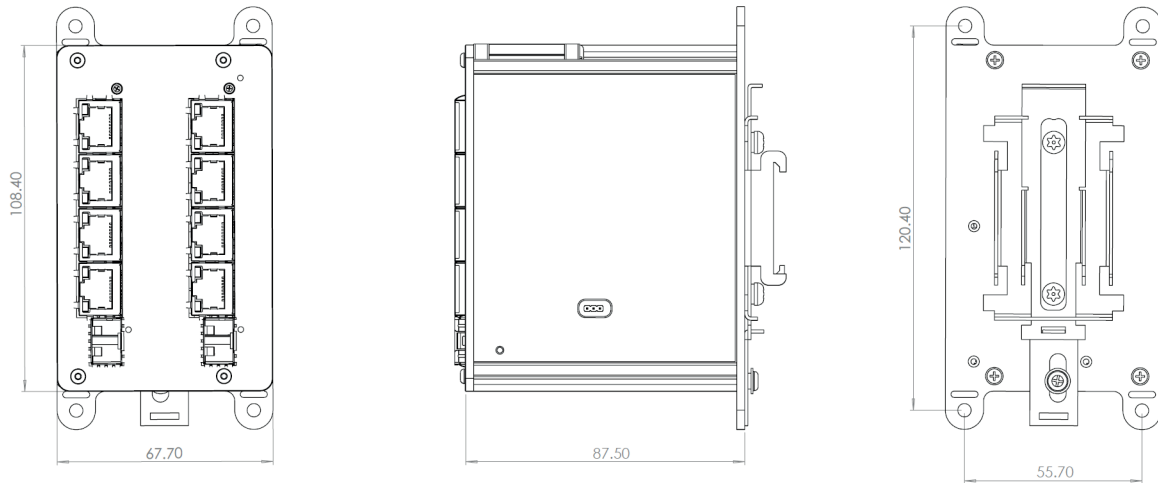
Cold:	EN 60068-2-1 Test Ab/Ad to -40°C
Hot:	EN 60068-2-2 Test Bb/Bd to +75°C
Change in temp:	EN 60068-2-14 Test Nb
Humidity:	EN 60068-2-56 Test Cb +55°C/95%RH
Condensation:	EN 60068-2-30 Test Db RH30°C, 90-100% RH

Shock and Vibration

Vibration (swept sinewave):	EN 60068-2-6 – Test Fc
Vibration (random):	EN 60068-2-64 – Test Fh
Shock:	EN 60068-2-27 – Test Ea
Altitude test:	to 5,000m
Free Fall:	IEC 60068-2-32

*Calculation model based on PoE version at 30 °C

Specifications.



Part Numbers.

AMG9HMU-4F2H2N-1S-P240	2x 10/100TX with 802.3at PoE 90W, 2x 10/100TX with 802.3at PoE+, 2x 100/1000M SFP, -40°C to +75°C, 48-56V _{DC}
AMG9HMU-8F4H4N-2S-P480	4x 10/100TX with 802.3at PoE 90W, 4x 10/100TX with 802.3at PoE+, 2x 100/1000M SFP, -40°C to +75°C, 48-56V _{DC}
AMG9HMU-4G2H2N-1S-P240	2x 10/100/1000TX with 802.3at PoE 90W, 2x 10/100/1000TX with 802.3at PoE+, 2x 100/1000M SFP, -40°C to +75°C, 48-56V _{DC}
AMG9HMU-8G4H4N-2S-P480	4x 10/100/1000TX with 802.3at PoE 90W, 4x 10/100/1000TX with 802.3at PoE+, 2x 100/1000M SFP, -40°C to +75°C, 48-56V _{DC}

Recommended PSUs.

AMG2012	48-56VDC 5.0A 240W PSU, DIN rail mount
AMG2013	48-56VDC 10.0A 480W PSU, DIN rail mount

Notes.

Other port and PoE options are also available.

For models 4+1 and 8+2 is available expansion SFP card with additional 1 to 3 SFPs.

Optional Accessories: SFP modules - Optical/Copper see separate list, need to be ordered separately

AMG is in the process of ensuring our devices comply with the new 802.3bt 60W and 90W PoE standard.

Until such time as all Manufacturers of PSE's and PD's comply with the new standard, we recommend that our Customers test compatibility of their 60W and 90W PD's with AMG PSE's.

Proud to be a British
Manufacturer 